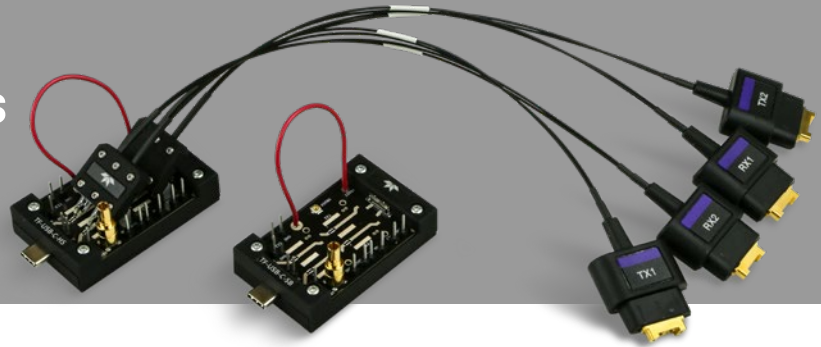


USB-C® USB4® Test Coupon Fixtures

TF-USB-C-HS TF-USB-C-SB



Key Features

Access to all USB Type-C® signals at the connector.

- Tx1/Rx1, Tx2/Rx2 High-Speed Data
- CC1/CC2 Power Delivery
- VCONN
- VBUS (voltage and current)
- USB 2.0 D+/D-
- SBU1/SBU2 Sideband Usage

'Signal Integrity Transparency'

For use with USB Type-C PHY-Logic and Sideband analysis software:

- USB4 DME, USB4-SB TDMP
- USB 3.2 D
- USB 2.0 TDME
- USB-PD TDMP
- DP-AUX DMP
- ProtoSync

And with various Protocol Exerciser/Analyzers:

- Voyager USB Exerciser/Analyzers
- Mercury USB-C Sideband Analyzers
- DisplayPort™ Video Analyzers

PHY logic layer and sideband negotiation issues account for many compliance and interoperability failures in USB Type-C connected devices. These failures can be quickly debugged using unmatched PHY-logic layer and sideband debug solutions on a wide range of oscilloscopes.

Access all USB Type-C Signals

USB Type-C Test Coupon Fixtures provide probing access to all high-speed and sideband signals 'transparently' – without impacting system performance.

High-speed PHY-logic Debug

USB4, Thunderbolt 3/4, DisplayPort 2.0/1.4, and USB 3.2 standards define four Tx/Rx signaling pairs carrying up to 20 Gb/s data over the USB Type-C connector. The TF-USB-C-HS High-speed and sideband coupon fixture, when used with the LabMaster 10 Zi-A or SDA 8 Zi-B and high-speed serial decode and ProtoSync analysis software, provides the industry's most comprehensive test solution for debugging PHY-Logic layer failures.

Sideband Debug

When USB Type-C devices are connected, sideband signals are used to establish how the link will be configured. The 'power contract' between devices and DisplayPort 'Alt Mode' is negotiated using CC1/CC2 pins. DisplayPort and USB4 protocols use the SBU (Sideband Usage) pins for link training. The TF-USB-C-SB Sideband Test Coupon fixture, when used with any Teledyne LeCroy Oscilloscope provides unmatched Trigger, Decode, Measure/Graph and Physical layer testing for USB-C sidebands.

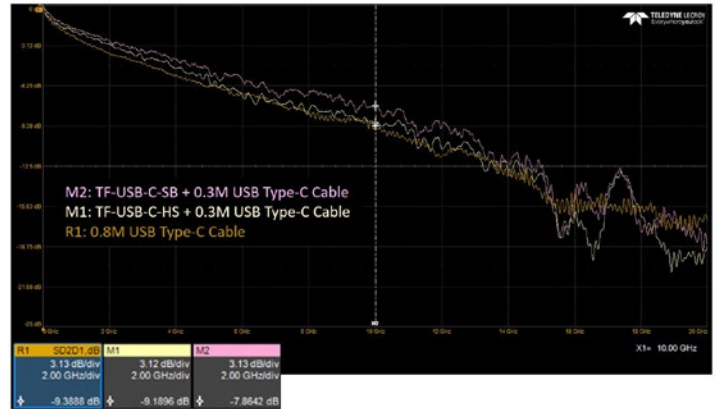
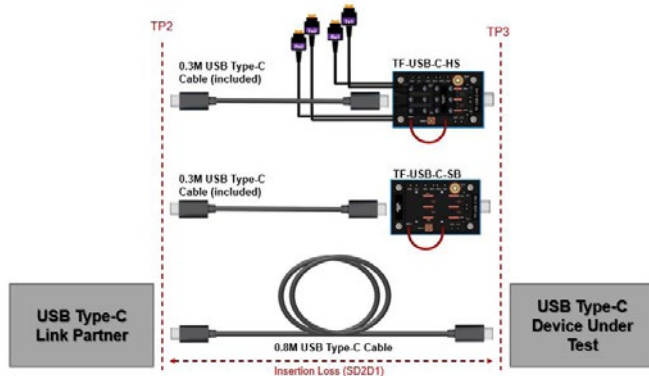
Protocol Analysis

For more elusive problems, cross-trigger your oscilloscope with Teledyne LeCroy USB Voyager and Mercury protocol exerciser/analyzers.

USB TYPE-C TEST COUPON FIXTURES

Signal Integrity Transparency

USB Type-C Coupons provide probing access to all signals at connector test points (TP2 or TP3) without impacting the performance of the system under test. TF-USB-C-HS and TF-USB-C-SB both provide 'signal integrity transparency' that is essential for system debug.



When connected to the included 0.3M Type-C Test Cable, the USB Type-C Test Coupon Fixtures replace a certified 0.8M Type-C cable in the system with equivalent insertion loss; providing probing access without impacting 20 Gb/s system performance.

USB Type-C High-Speed PHY-Logic Debug

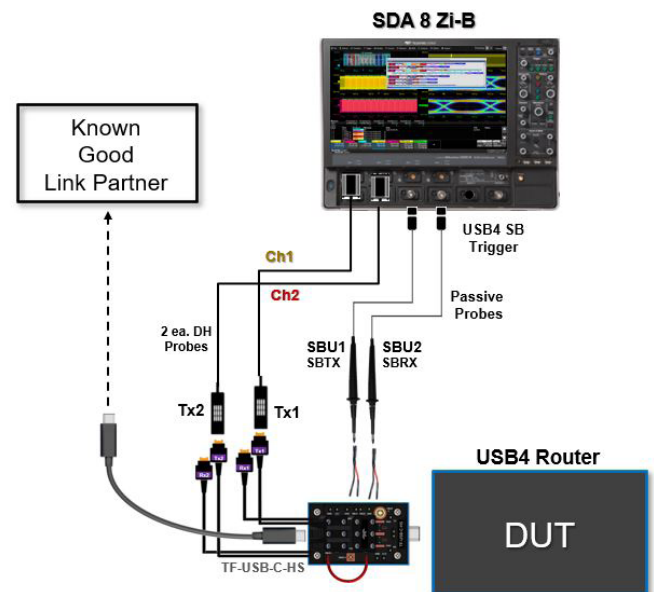
High-speed link training failures can be found while performing interoperability testing with Teledyne LeCroy Exerciser/Analyzers or when testing with a known good device. In either case, the TF-USB-C-HS Test Coupon Fixture is used with LabMaster 10 Zi-A or SDA 8 Zi-B oscilloscopes to isolate 'link up' failures for all USB-C high-speed serial standards.

USB4 and Thunderbolt 3/4

USB4 and Thunderbolt 3/4 link training uses USB4-SB (sideband channel) for link equalization until the link achieves symbol lock. Then high-speed Tx/Rx signal pairs are used to complete link training. USB4-TDMP is used to trigger on the TxFFE register state, while USB4 DME and decodes the data packets and performs signal integrity tests on the router or retimer transmitter under test.

USB 3.2

USB 3.2 link training consists of transactions between the High-speed Tx/Rx signal pairs as the link works its way through the LTSSM (Link Training and State Status Machine). USB3.2bus D software and ProtoSync are used to identify link training issues.

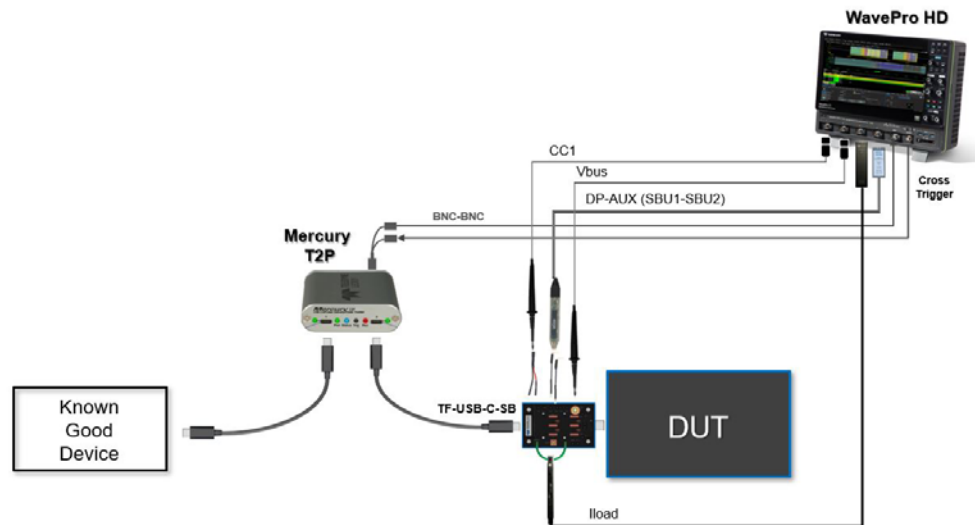


DisplayPort over USB Type-C

The DisplayPort video link is established after USB-PD protocol initiates DisplayPort 'alt mode', pin assignments, and Hot Plug Detect. Then the Main link is negotiated over the DP-AUX channel. USB-PD TDMP, DP-AUX DMP, and SDA-III analysis software are used to validate Source or Link-Training Tunable PHY Repeater (LTPR) system performance.

USB Type-C Sideband Debug

Power Delivery, DisplayPort AUX Channel, USB4 sideband, and USB2 are all protocols using the USB-C Connector. TF-USB-C-SB sideband test coupon fixtures provide sideband probing access.



USB Power Delivery and DisplayPort Alt Mode

The USB-PD power contract is the first thing that gets negotiated when two USB Type-C devices are connected. Tested with USB-PD TDMP software.

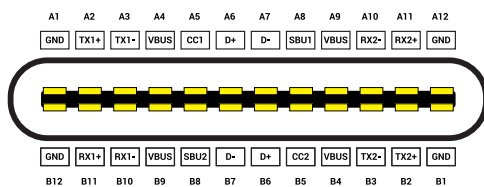
DisplayPort Alt Mode

DisplayPort also uses USB-PD messages for 'alt mode' entry/exit and hot plug detect. Tested using USB-PD TDMP and DP-AUX DMP software.

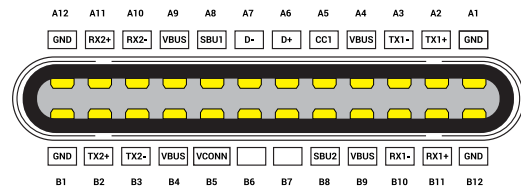
USB 2.0

USB 2.0 continues to be the interface for many devices such as mice keyboards, human interface devices, and docking station ports. Tested using USB2bus D and USB 2.0 ProtoSync software.

USB Type-C Signal Access



USB Type-C Receptacle



USB Type-C Plug

Signal	Description	Recommended Probe	Connection to Debug Coupon	TF-USB-C-SB	TF-USB-C-HS
TX1 (DP ML2)	Transmitter Differential Pair #1 (±)	DH Differential Probe	DH-SI Probe Tip	N	Y
TX2 (DP ML0)	Transmitter Differential Pair #2 (±)	DH Differential Probe	DH-SI Probe Tip	N	Y
RX1 (DP ML3)	Receiver Differential Pair #1 (±)	DH Differential Probe	DH-SI Probe Tip	N	Y
RX2 (DP ML1)	Receiver Differential Pair #2 (±)	DH Differential Probe	DH-SI Probe Tip	N	Y
VBUS_V	Bus Power (Voltage)	PP021 2.5 mm Barrel Passive Probe (incl.) or Rail Probe	2.5mm Barrel Passive Probe receptacle or MCX connector	Y	Y
VBUS_I	Bus Power (Current)	CP030	Current Loop (red wire)	Y	Y
CC1	Configuration Channel #1	Passive Probe with 25-mil square pin adapter (incl.)	25-mil square pin header	Y	Y
CC2 (VCONN)	Configuration Channel #2 and VCONN	Passive Probe with 25-mil square pin adapter (incl.)	25-mil square pin header	Y	Y
D+/D-	USB 2.0 Differential Pair (±)	ZD Differential Probe	25-mil square pin headers	Y	Y
SBU1	Side Band Use #1 (SBU-TX when in USB4 Mode)	Passive Probe with 25-mil square pin adapter (incl.)	25-mil square pin header	Y	Y
SBU2	Side Band Use #2 (SBU-RX when in USB4 Mode)	Passive Probe with 25-mil square pin adapter (incl.)	25-mil square pin header	Y	Y
SBU1-SBU2	SBU Differential (when in DisplayPort Alt Mode)	ZD Differential Probe	25-mil square pin header	Y	Y
GND	GND Return	Passive Probe with 25-mil square pin adapter (incl.)	25-mil square pin header	Y	Y

ORDERING INFORMATION

Product Description

Product Code

USB Type-C USB4 High-speed and Sideband Test Coupon Fixtures

USB4 High-speed and Sideband Test Coupon Fixture	TF-USB-C-HS
USB4 Sideband Test Coupon Fixture	TF-USB-C-SB

USB Type-C Technologies PHY Compliance and PHY-Logic/Sideband Debug Oscilloscope Configuration Guide

	USB-C High-speed PHY-Logic Layer and Sideband Debug		USB-C Sideband Debug		
	LabMaster 10 Zi-A	WaveMaster 8 Zi-B	WavePro HD	WaveRunner 8000HD	HDO4000A/HDO6000B
Available Bandwidths	20 GHz - 65 GHz	4 GHz - 30 GHz	2.5 GHz - 8 GHz	350 MHz - 2 GHz	200 MHz - 1 GHz
Available Sample Rate	80 GS on 4Ch	80 GS on 2Ch	20 GS on 4Ch	10 GS on 8Ch	10 GS on 4Ch
Sideband Trigger (USB4-SB and USB-PD)	No	Yes	Yes	Yes	Yes
Mixed Signal Oscilloscope (for Sidebands)	No	Yes (with MS-500)	Yes	Yes	Yes
USB Voyager & Mercury Protocol Analyzer Cross Trigger	Yes	Yes	Yes	Yes	Yes
Recommended Models by Application					
LabMaster SDA 10Zi-A MCM	SDA MCM 10Zi A	–	–	–	–
USB4, Thunderbolt 3/4, and DisplayPort 2.0 PHY Compliance and PHY-Logic Debug	LM 10-25Zi-A to LM 10-65Zi-A	SDA 825 Zi-B to SDA 830 Zi-B	–	–	–
Multi-Lane Compliance	Yes	No	–	–	–
USB 3.2 (Gen1/Gen2) PHY Compliance and PHY-Logic Debug	LM 10-20Zi-A to LM 10-65Zi-A	SDA 816 Zi-B to SDA 830 Zi-B	–	–	–
USB 3.2 (Gen1) PHY Compliance and PHY-Logic Debug	LM 10-20Zi-A to LM 10-65Zi-A	SDA 808 Zi-B to SDA 830 Zi-B	*WPHD804	–	–
DisplayPort 1.4 PHY Compliance and PHY-Logic Debug	LM 10-20Zi-A to LM 10-65Zi-A	SDA 816 Zi-B to SDA 830 Zi-B	–	–	–
Required Options for above Compliance Testing	LM10ZI-SDAIII-COMPLETELINQ and LM10ZI-M-64	WM8ZI-SDAIII-COMPLETELINQ	–	–	–
Required BERT for above USB RX or DP Sink Testing	MP1900A BERT	MP1900A BERT	–	–	–
Differential Probes for Compliance Testing					
2 ea. for USB 2.0 HS Compliance	n/a	ZD1500	ZD1500	ZD1500	–
1 ea. for DP-AUX Compliance	ZD1500 and L2.92A-PBUS	ZD1500	ZD1500	ZD1500	–
PHY Compliance Software Options					
USB4 and Thunderbolt 3/4 Tx/Rx Compliance	QPHY-USB4-TXRX		–	–	–
USB 3.2 (Gen1/Gen2) Tx/Rx Compliance	QPHY-USB32-TXRX		–	–	–
USB 2.0 Compliance	No	QPHY-USB	QPHY-USB	QPHY-USB	QPHY-USB
DisplayPort 2.0/1.4 Source/Sink Compliance (Includes DP-AUX)	QPHY-DP20-SOURCE (Includes DP14-Source) QPHY-DP14-SOURCE QPHY-DP20-SINK		–	–	–
PHY-Logic and Sideband Debug Options					
USB Type-C High-speed and/or Sideband Debug Coupon Fixture	TF-USB-C-HS	TF-USB-C-HS	*TF-USB-C-HS or TF-USB-C-SB	TF-USB-C-SB	TF-USB-C-SB
DH Series Differential Probes (1ea. per high-speed Tx/Rx lane tested)	DH25-2.92 MM to DH30-2.92 MM	DH08-PL to DH20-PL	*DH08-PB2 and LPA-PB2	–	–
Differential Probe for USB 2.0 and DP-AUX Debug	ZD1500 and L2.92A-PBUS	ZD1500	ZD1500	ZD1500	–
Current Probe for USB-PD Debug	CP030	CP030	CP030	CP030	CP030
USB4 PHY-Logic and Sideband Debug	USB4 DME and USB4-SB TDMP Beta available at www.teledynelecroy.com/lpp		USB4-SB TDMP Beta available at www.teledynelecroy.com/lpp		
USB 3.2 PHY-Logic Debug	LM10ZI-USB32bus D and ProtoSync	WM8ZI-USB32bus D and ProtoSync	*WPHD-USB32bus D and ProtoSync	–	–
USB 2.0 PHY-Logic Debug	LM10ZI-USB2bus DME and ProtoSync	WM8ZI-USB2bus TDME and ProtoSync	WPHD-USB2bus TDME and ProtoSync	WR8KHD-USB2bus TDME and ProtoSync	HDO4K-USB2bus TD HDO6K-USB2bus TDME and ProtoSync
USB Power Delivery Debug	LM10ZI-USBPD DMP	LM10ZI-USBPD TDMP	WPHD-USBPD TDMP	WR8KHD-USBPD TDMP	HDO4K-USBPD TD HDO6K-USBPD TDMP
DisplayPort Link Layer Debug	LM10ZI-DPAUX DMP	LM10ZI-DPAUX DMP	WPHD-DPAUX DMP	WR8KHD-DPAUX DMP	HDO4K-DPAUX DMP HDO6K-DPAUX DMP

*WPHD804 to be used for USB3.2 (Gen1) debug only, compliance requires 40 GS/s minimum sample rate.



1-800-5-LeCroy
teledynelecroy.com

Local sales offices are located throughout the world.
Visit our website to find the most convenient location.